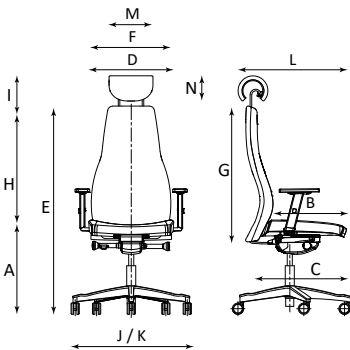


# Technical description

## 1. Dimensions / Weight

### 1.1. Sviwel chairs



A – Seat height

B – Seat depth

C – Seat surface depth

D – Seat width

E – Overall height

F – Backrest width

G – Backrest length

H – Backrest height

J – Base diameter

K – Base width

L – Overall depth

J – Base diameter

M – Headrest width

N – Headrest height

MODEL	DIMENSIONS [mm]														WEIGHT (kg)
	A	B	C	D	E	F	G	H	J	K	L	I	M	N	
BJARG-HB TS25 RTS FS ESH60/ESH60	415-540	425	455	460	1115-1320	410	680	695-765	710	-	644	-	-	-	15,9
BJARG-HB TS25 RTS FST ESH60/ESH60	415-450	425-475	455	460	1115-1320	410	680	695-765	710	-	644	-	-	-	16,7
BJARG-HB TS25 RTS EAST ESH60/ESH60	420-545	415-475	455	460	1125-1330	410	680	680-750	710	-	644	-	-	-	16,7
BJARG-HB TS25 RTS ER/ERN ESH60/ESH60	400-525	415	455	460	1125-1330	410	680	695-765	710	-	644	-	-	-	15,2
BJARG-HB TS25 RTS ERT/ERTN ESH60/ESH60	420-545	415-475	455	460	1125-1330	410	680	680-750	710	-	644	-	-	-	16,7
BJARG-HB TS25 RTS SYNCROIBRA TR ESH60/ESH60	405-530	415-465	455	460	1110-1325	410	680	685-765	710	-	644	-	-	-	18,3
BJARG-MB TS25 RTS FS ESH60/ESH60	415-540	425	455	460	955-1160	410	520	545-615	710	-	644	-	-	-	15,3
BJARG-MB TS25 RTS FST ESH60/ESH60	415-450	425-475	455	460	955-1160	410	520	545-615	710	-	644	-	-	-	16,1
BJARG-MB TS25 RTS EAST ESH60/ESH60	420-545	415-475	455	460	965-1170	410	520	530-600	710	-	644	-	-	-	16,1
BJARG-MB TS25 RTS ER/ERN ESH60/ESH60	400-525	415	455	460	965-1170	410	520	545-615	710	-	644	-	-	-	14,6
BJARG-MB TS18 RTS ERT/ERTN ESH60/ESH60	420-545	415-475	455	460	965-1170	410	520	510-600	710	-	644	-	-	-	16,1
BJARG-MB TS25 RTS SYNCROIBRA TR ESH60/ESH60	405-530	415-465	455	460	950-1165	410	520	525-605	710	-	644	-	-	-	17,6
BJARG-LB TS25 RTS FS ESH60/ESH60	415-540	425	455	460	855-1060	410	420	445-515	710	-	644	-	-	-	15
BJARG-LB TS25 RTS FST ESH60/ESH60	415-450	425-475	455	460	855-1060	410	420	445-515	710	-	644	-	-	-	15,8
BJARG-LB TS25 RTS EAST ESH60/ESH60	420-545	415-475	455	460	865-1070	410	420	430-500	710	-	644	-	-	-	15,8
BJARG-LB TS25 RTS ER/ERN ESH60/ESH60	400-525	415	455	460	865-1070	410	420	445-515	710	-	644	-	-	-	14,3
BJARG-LB TS34 RTS ERT/ERTN ESH60/ESH60	420-545	415-475	455	460	865-1070	410	420	430-500	710	-	644	-	-	-	15,8

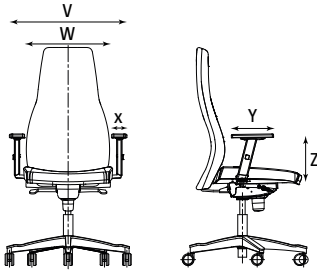
# Technical description

MODEL	DIMENSIONS [mm]													WEIGHT (kg)	
	A	B	C	D	E	F	G	H	J	K	L	I	M		N
BJARG-LB TS25 RTS SYNCROIBRA TR ESH60/ESHH60	405-530	415-465	455	460	850-1065	410	420	425-505	710	-	644	-	-	-	17,4
BJARG-HB TS34 RTS FS ESH60/ ESHH60	410-535	425	455	460	1110-1315	410	680	695-765	711	-	644	-	-	-	15,9
BJARG-HB TS34 RTS FST ESH60/ ESHH60	410-535	425-475	455	460	1110-1315	410	680	695-765	711	-	644	-	-	-	16,7
BJARG-HB TS34 RTS EAST ESH60/ESHH60	415-540	415-475	455	460	1120-1325	410	680	680-750	711	-	644	-	-	-	16,7
BJARG-HB TS34 RTS ER/ERN ESH60/ESHH60	395-520	415	455	460	1120-1325	410	680	695-765	711	-	644	-	-	-	15,2
BJARG-HB TS34 RTS ERT/ERTN ESH60/ESHH60	415-540	415-475	455	460	1120-1325	410	680	680-750	711	-	644	-	-	-	16,7
BJARG-HB TS34 RTS SYNCROIBRA TR ESH60/ESHH60	400-525	415-465	455	460	1105-1320	410	680	685-765	711	-	644	-	-	-	18,3
BJARG-MB TS34 RTS FS ESH60/ ESHH60	410-535	425	455	460	950-1155	410	520	545-615	711	-	644	-	-	-	15,3
BJARG-MB TS34 RTS FST ESH60/ ESHH60	410-535	425-475	455	460	950-1155	410	520	545-615	711	-	644	-	-	-	16,1
BJARG-MB TS34 RTS EAST ESH60/ESHH60	415-540	415-475	455	460	960-1165	410	520	530-600	711	-	644	-	-	-	16,1
BJARG-MB TS34 RTS ER/ERN ESH60/ESHH60	395-520	415	455	460	960-1165	410	520	545-615	711	-	644	-	-	-	14,6
BJARG-MB TS18 RTS ERT/ERTN ESH60/ESHH60	415-540	415-475	455	460	960-1165	410	520	510-600	711	-	644	-	-	-	16,1
BJARG-MB TS34 RTS SYNCROIBRA TR ESH60/ESHH60	400-525	415-465	455	460	945-1160	410	520	525-605	711	-	644	-	-	-	17,6
BJARG-LB TS34 RTS FS ESH60/ ESHH60	410-535	425	455	460	850-1055	410	420	445-515	711	-	644	-	-	-	15
BJARG-LB TS34 RTS FST ESH60/ ESHH60	410-535	425-475	455	460	850-1055	410	420	445-515	711	-	644	-	-	-	15,8
BJARG-LB TS34 RTS EAST ESH60/ESHH60	415-540	415-475	455	460	860-1065	410	420	430-500	711	-	644	-	-	-	15,8
BJARG-LB TS34 RTS ER/ERN ESH60/ESHH60	395-520	415	455	460	860-1065	410	420	445-515	711	-	644	-	-	-	14,3
BJARG-LB TS34 RTS ERT/ERTN ESH60/ESHH60	415-540	415-475	455	460	860-1065	410	420	430-500	711	-	644	-	-	-	15,8
BJARG-LB TS34 RTS SYNCROIBRA TR ESH60/ESHH60	400-525	415-465	455	460	845-1060	410	420	425-505	711	-	644	-	-	-	17,4
BJARG-HB ST44 RTS FS ESH60/ ESHH60	415-540	425	455	460	1115-1320	410	680	695-765	700	-	636	-	-	-	16,1
BJARG-HB ST44 RTS FST ESH60/ ESHH60	415-450	425-475	455	460	1115-1320	410	680	695-765	700	-	636	-	-	-	16,9
BJARG-HB ST44 RTS EAST ESH60/ESHH60	420-545	415-475	455	460	1125-1330	410	680	680-750	700	-	636	-	-	-	16,9
BJARG-HB ST44 RTS ER/ERN ESH60/ESHH60	400-525	415	455	460	1125-1330	410	680	695-765	700	-	636	-	-	-	15,4
BJARG-HB ST44 RTS ERT/ERTN ESH60/ESHH60	420-545	415-475	455	460	1125-1330	410	680	680-750	700	-	636	-	-	-	16,9
BJARG-HB ST44 RTS SYNCROIBRA TR ESH60/ESHH60	405-530	415-465	455	460	1110-1325	410	680	685-765	700	-	636	-	-	-	18,5
BJARG-MB ST44 RTS FS ESH60/ ESHH60	415-540	425	455	460	955-1160	410	520	545-615	700	-	636	-	-	-	15,5
BJARG-MB ST44 RTS FST ESH60/ ESHH60	415-450	425-475	455	460	955-1160	410	520	545-615	700	-	636	-	-	-	16,3
BJARG-MB ST44 RTS EAST ESH60/ESHH60	420-545	415-475	455	460	965-1170	410	520	530-600	700	-	636	-	-	-	16,3
BJARG-MB ST44 RTS ER/ERN ESH60/ESHH60	400-525	415	455	460	965-1170	410	520	545-615	700	-	636	-	-	-	14,8

# Technical description

MODEL	DIMENSIONS [mm]														WEIGHT (kg)
	A	B	C	D	E	F	G	H	J	K	L	I	M	N	
BJARG-MB ST44 RTS ERT/ERTN ESH60/ESH60	420-545	415-475	455	460	965-1170	410	520	530-600	700	-	636	-	-	-	16,3
BJARG-MB ST44 RTS SYNCROIBRA TR ESH60/ESH60	405-530	415-465	455	460	950-1165	410	520	525-605	700	-	636	-	-	-	17,8
BJARG-LB ST44 RTS FS ESH60/ESH60	415-540	425	455	460	855-1060	410	420	445-515	700	-	636	-	-	-	15,2
BJARG-LB ST44 RTS FST ESH60/ESH60	415-450	425-475	455	460	855-1060	410	420	445-515	700	-	636	-	-	-	16
BJARG-LB ST44 RTS EAST ESH60/ESH60	420-545	415-475	455	460	865-1070	410	420	430-500	700	-	636	-	-	-	16
BJARG-LB ST44 RTS ER/ERN ESH60/ESH60	400-525	415	455	460	865-1070	410	420	445-515	700	-	636	-	-	-	14,5
BJARG-LB ST44 RTS ERT/ERTN ESH60/ESH60	420-545	415-475	455	460	865-1070	410	420	430-500	700	-	636	-	-	-	16
BJARG-LB ST44 RTS SYNCROIBRA TR ESH60/ESH60	405-530	415-465	455	460	850-1065	410	420	425-505	700	-	636	-	-	-	17,6
BJARG-HB ST61 RTS FS ESH60/ESH60	410-535	425	455	460	1110-1315	410	680	695-765	711	-	644	-	-	-	16,2
BJARG-HB ST61 RTS FST ESH60/ESH60	410-535	425-475	455	460	1110-1315	410	680	695-765	711	-	644	-	-	-	17
BJARG-HB ST61 RTS EAST ESH60/ESH60	415-540	415-475	455	460	1120-1325	410	680	680-750	711	-	644	-	-	-	17
BJARG-HB ST61 RTS ER/ERN ESH60/ESH60	395-520	415	455	460	1120-1325	410	680	695-765	711	-	644	-	-	-	15,5
BJARG-HB ST61 RTS ERT/ERTN ESH60/ESH60	415-540	415-475	455	460	1120-1325	410	680	680-750	711	-	644	-	-	-	17
BJARG-HB ST61 RTS SYNCROIBRA TR ESH60/ESH60	400-525	415-465	455	460	1105-1320	410	680	685-765	711	-	644	-	-	-	18,6
BJARG-MB ST61 RTS FS ESH60/ESH60	410-535	425	455	460	950-1155	410	520	545-615	711	-	644	-	-	-	15,6
BJARG-MB ST61 RTS FST ESH60/ESH60	410-535	425-475	455	460	950-1155	410	520	545-615	711	-	644	-	-	-	16,4
BJARG-MB ST61 RTS EAST ESH60/ESH60	415-540	415-475	455	460	960-1165	410	520	530-600	711	-	644	-	-	-	16,4
BJARG-MB ST61 RTS ER/ERN ESH60/ESH60	395-520	415	455	460	960-1165	410	520	545-615	711	-	644	-	-	-	14,9
BJARG-MB ST61 RTS ERT/ERTN ESH60/ESH60	415-540	415-475	455	460	960-1165	410	520	530-600	711	-	644	-	-	-	16,4
BJARG-MB ST61 RTS SYNCROIBRA TR ESH60/ESH60	400-525	415-465	455	460	945-1160	410	520	525-605	711	-	644	-	-	-	17,9
BJARG-LB ST61 RTS FS ESH60/ESH60	410-535	425	455	460	850-1055	410	420	445-515	711	-	644	-	-	-	15,3
BJARG-LB ST61 RTS FST ESH60/ESH60	410-535	425-475	455	460	850-1055	410	420	445-515	711	-	644	-	-	-	16,1
BJARG-LB ST61 RTS EAST ESH60/ESH60	415-540	415-475	455	460	860-1065	410	420	430-500	711	-	644	-	-	-	16,1
BJARG-LB ST61 RTS ER/ERN ESH60/ESH60	395-520	415	455	460	860-1065	410	420	445-515	711	-	644	-	-	-	14,6
BJARG-LB ST61 RTS ERT/ERTN ESH60/ESH60	415-540	415-475	455	460	860-1065	410	420	430-500	711	-	644	-	-	-	16,1
BJARG-LB ST61 RTS SYNCROIBRA TR ESH60/ESH60	400-525	415-465	455	460	845-1060	410	420	425-505	711	-	644	-	-	-	17,9
HEADREST HRUA	-	-	-	-	-	-	-	-	-	-	-	110-210	220	145	0,9

# Technical description



- Z – Armrest height
- Y – Armrest length
- X – Armrest width
- W – Internal width between armrests
- V – External width between armrests

ARMRESTS	DIMENSIONS [mm]					WEIGHT (kg)
	Z	Y	X	W	V	
R35K2	200-280	225	80	490	650	1,6
R35K3	220-300	230	90	480	660	1,8
R35K2-SB2 (NOT AVAILABLE FOR VERSION EAST)	190-270	225	80	460-510	620-670	2,45
R35K3-SB2 (NOT AVAILABLE FOR VERSION EAST)	210-290	230	90	450-500	630-680	2,65

# Technical description

## 2. Materials / Versions

### 2.1. Base

Bases:

- Ø 710 mm five-star black polyamide (TS25),
- Ø 711 mm five-star black polyamide (TS34),
- Ø 700 mm five-star polished aluminium with chrome effect (ST44-POL),
- Ø 711 mm five-star polished aluminium with chrome effect and partially powder-coated in black colour underneath (ST61-POL/BL).

### 2.2. Castors

Ø 60 mm black plastic self-braking castors for soft floors (ESH60) as standard, or hard floors (ESHH60) as an option.

### 2.3. Mechanisms

FS Synchronous mechanism – functions:

- free-floating – synchronous backrest and seat tilt,
- backrest tilt angle of 20° synchronized with the seat tilt angle of 11°,
- backrest multi-lock in 5 positions,
- backrest tilt force adjustment with a knob,
- seat depth adjustment 50 mm – as an option (FST),
- Anti-Shock – a feature that controls chair backrest to avoid hitting user's back after releasing the lock,
- smooth height adjustment of chair with pneumatic gas lift.

ER Advanced Synchronous mechanism

– functions:

- free-floating – synchronous backrest and seat tilt,
- backrest tilt angle of 23° synchronized with the seat tilt angle of 0°,
- backrest multi-lock in 5 positions,
- backrest tilt force adjustment with a knob placed on the right side of seat,
- seat depth adjustment 60 mm, multi-lock in 6 positions – as an option (ERT),
- negative seat inclination of 3°, synchronously tilting with the backrest at 6°, which guarantees optimal support for the user's back at each tilted position of the chair – as an option (ERTN),
- Anti-Shock – a feature that controls chair backrest to avoid hitting user's back after releasing the lock,
- smooth height adjustment of chair with pneumatic gas lift.

SYNCROIBRA TR Asynchronous mechanism

– functions:

- free-floating – backrest tilt,
- backrest and seat independent lock,
- backrest tilt angle in range of – 10° up to + 20°,
- seat tilt angle in range of – 3° up to + 10°,
- UP&DOWN backrest height adjustment,
- backrest tilt force adjustment with a knob,
- seat depth adjustment 50 mm,
- smooth height adjustment of chair with pneumatic gas lift.

EAST Advanced Asynchronous mechanism

– functions:

- free-floating – backrest tilt,
- backrest tilt angle in range of – 10° up to + 25°,
- seat tilt angle in range of – 5° up to + 5°,
- seat depth adjustment 60 mm,
- backrest multi-lock in 5 positions,
- backrest tilt force adjustment with a crank placed under the seat,
- Anti-Shock – a feature that controls chair backrest to avoid hitting user's back after releasing the lock,
- smooth height adjustment of chair with pneumatic gas lift.

### 2.4. Seat, backrest, headrest

#### Seat

Structure is made of 7-layer plywood, thickness 10,5 mm, covered with cut foam, thickness 55 mm, density 40 kg/m<sup>3</sup>.

#### Backrest

As standard, each backrest is height adjustable in range of 70 mm, 13 lock positions.

High upholstered backrest (HB UPH) – structure is made of 8-layer plywood, thickness 12 mm, covered with cut foam, thickness 40 mm in front part, 10 mm at back part, density 35 kg/m<sup>3</sup>.

Medium upholstered backrest (MB UPH) – structure is made of 8-layer plywood, thickness 12 mm, covered with cut foam, thickness 40 mm in front part, 10 mm at back part, density 35 kg/m<sup>3</sup>.

Low upholstered backrest (LB UPH) – structure is made of 8-layer plywood, thickness 12 mm, covered with cut foam, thickness 40 mm in front part, 10 mm at back part, density 35 kg/m<sup>3</sup>.

Backrest connector – made of flat steel bar, thickness 6 mm.

Manual lumbar support (LSD2) – integrated with upholstered backrest, with depth adjustment by knob in range of 20 mm – Schukra mechanism.

#### Headrest

Adjustable, upholstered headrest (HRUA) – structure is made of polystyrene (PS), covered with cut foam, thickness 20 mm, density 40 kg/m<sup>3</sup>, fully upholstered. Tilt angle and height adjustment in range of 90 mm. Upholstery type and colour is the same for each upholstered element, except for headrest which can be upholstered in all leather or leather imitation available colours.

### 3. Armrests

Height adjustable armrests – made of black or black glass fiber reinforced polyamide (PA + GF), with black soft polyurethane (PU) pads. Adjustment range of the armrests: height 85 mm.

2-D armrests (not applicable for EAST mechanism) – made of steel and black glass fiber reinforced polyamide (PA + GF), with black soft polyurethane (PU) pads. Adjustment range of the armrests: height 85 mm, side movement of the armrests 25 mm.

3-D armrests – made of black glass fiber reinforced polyamide (PA + GF), with black soft polyurethane (PU) pads. Adjustment range of the armrests: height 85 mm, forward/backward movement of the pad 50 mm, pad rotation ± 25°.

4-D armrests (not applicable for EAST mechanism) – made of steel and black glass fiber reinforced polyamide (PA + GF), with black soft polyurethane (PU) pads.

Adjustment range of the armrests: height 85 mm, side movement of the armrests 25 mm, forward/backward movement of the pad 50 mm, pad rotation ± 25°.

### 4. Packaging

Chair unassembled – 1 piece per box, 10 pieces on pallet – as standard.

Chair partially assembled – 1 piece per L-shape box, 5 pieces on pallet – as an option.

The cardboard contains 3 separate elements:

- assembled seat with the mechanism, backrest and armrests,
- base with assembled castors,
- gas lift.

### 5. Technical regulations, approvals and quality marks for the chairs (for selected product configurations)

Approval compliant with: EN 1335.

Fulfils FSC requirements.

## 6. Sample order

### 6.1 Swivel chairs

Product line	Product subgroup	Version		C01	C06	C08	C09	C10	C11
BJARG	SWIVEL CHAIR	HB UPH	(	FS	HRUA-FLG61163	LSD2	BA-FLG61163	SE-FLG61163	R35K2-SB2
C12	C13	C14	C19						
GL-STD	TS25	ESH60	PACK-UNASM			FSC	)		

BJARG SWIVEL CHAIR HB UPH (FS HRUA-FLG61163 LSD2 BA-FLG61163 SE-FLG61163 R35K2-SB2 GL-STD TS25 ESH60 PACK-UNASM FSC)

<b>C01</b> Mechanism	<b>C10</b> Seat – upholstery colour code	<b>C14</b> Castors
<b>C06</b> Headrest – upholstery colour code	<b>C11</b> Armrests	<b>C19</b> Packaging
<b>C08</b> Lumbar support	<b>C12</b> Gas lift	
<b>C09</b> Backrest – upholstery colour code	<b>C13</b> Base	

**BJARG SWIVEL CHAIR HB UPH (FS HRUA-FLG61163 LSD2 BA-FLG61163 SE-FLG61163 R35K2-SB2 GL-STD TS25 ESH60 PACK-UNASM FSC)** identifies the chair as:

**BJARG** office swivel chair (**SWIVEL CHAIR**), with high upholstered backrest (**HB UPH**), basic Synchronous mechanism (**FS**), headrest with height and tilt angle adjustment, upholstered in Felicity FLG61163 fabric (**HRUA-FLG61163**), lumbar support with depth adjustment (**LSD2**), backrest upholstered in Felicity FLG61163 fabric (**BA-FLG61163**) and seat upholstered in Felicity FLG61163 fabric (**SE-FLG61163**), 2-D armrests (**R35K2-SB2**), standard gas lift (**GL-STD**),  $\varnothing$ 710 mm five-star black polyamide base (**TS25**),  $\varnothing$  60 mm castors for soft floors (**ESH60**), unassembled (**PACK-UNASM**), fulfils FSC requirements (**FSC**).